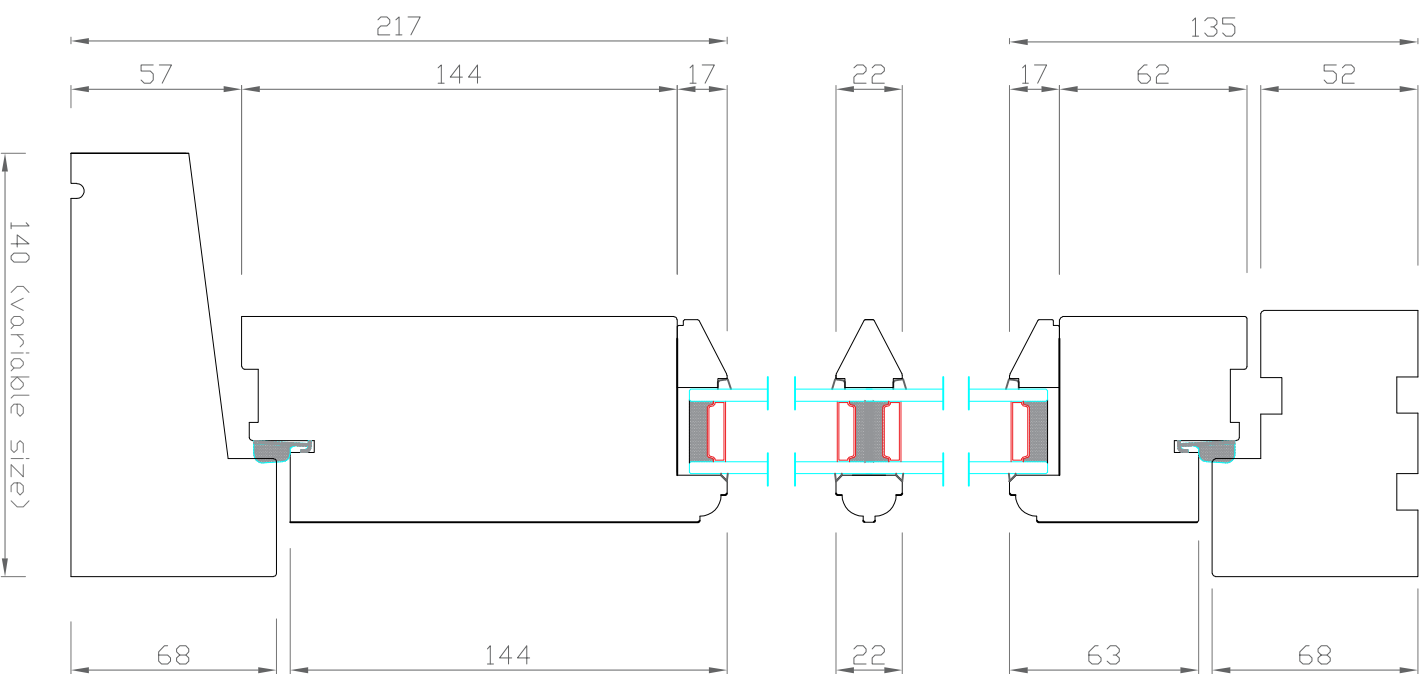
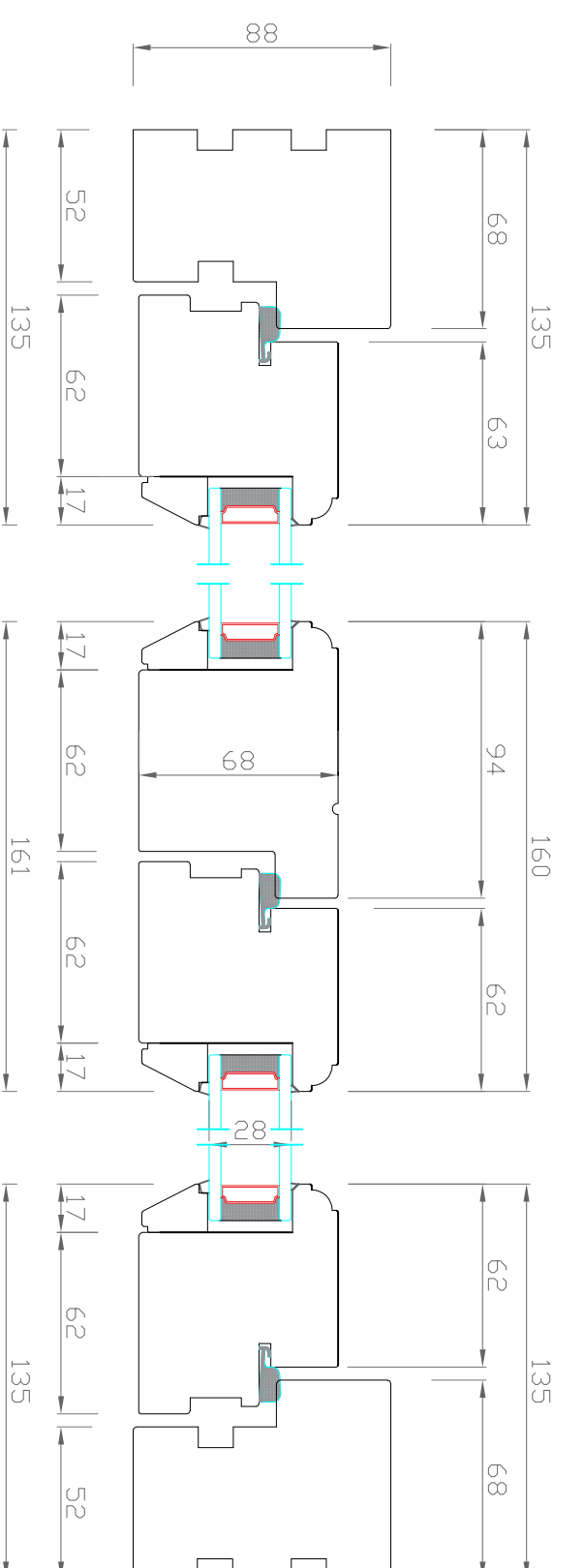


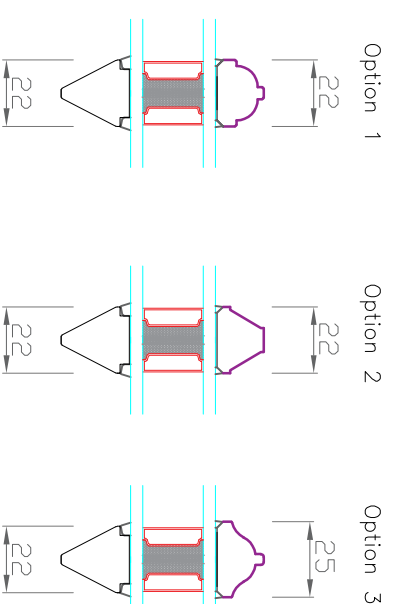
Standard ironmongery:
 ▶ High Security Multipointlocking Handle



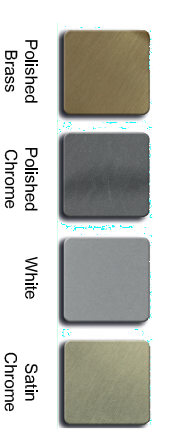
▶ Butt hinges (frame colour match)



Stick on bars and internal bead moulding cross section



Standard ironmongery finish



NOTE: All dimension in millimeters

Global Doors And Windows LTD
 Unit 4, Riverside Business Park
 16 Lyon Road, South Wimbledon
 London, SW19 3RL
 info@globaldoorsandwindows.com
 telephone 02085403833
 mobile 07800601561



DRAWING TITLE:
 French door – details

PROJECT:

DRAWING NO.:
 GDW_FRD01

DATE:
 14.12.18

SCALE:
 1:2₁

SIZE:
 A3

